

PRODUCT

Smooth

DESIGNER

— Libero Rutilo

VERSION



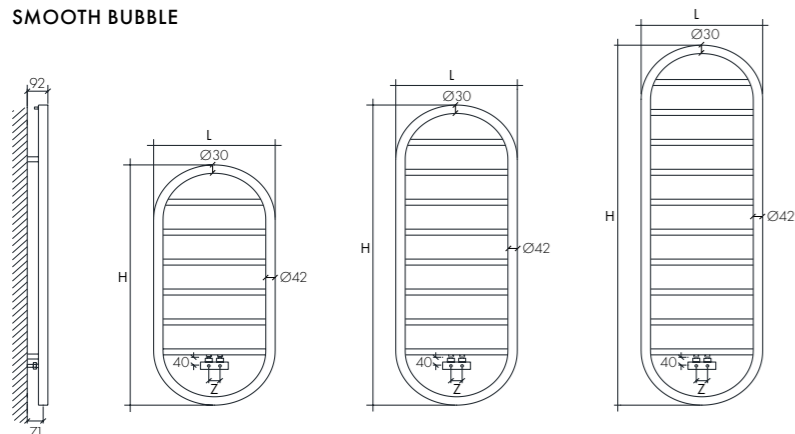
WARMBOOK



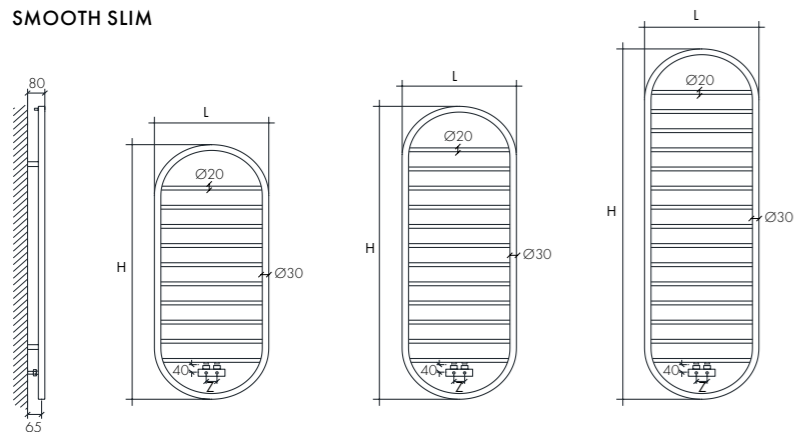
p.94

	IT	UK	FR	ES	DE
	- Acciaio	- Steel	- Acier	- Acero	- Stahl
	- Staffe a parete - Valvola di sfogo - Kit copritubo	- Wall brackets - Exhaust valve - Tube cover kit	- Supports muraux - Soupape de décompression - Kit cache-tube	- Soportes de pared - Purgador - Kit de cobertura tubo	- Wandhalterungen - Entlüftungsventil - Rohrverkleidungssatz
	- Valvola termostatzabile interasse 50 mm p. 126 - Raccordi*	- Thermostatic valve centre-line distance 50 mm p. 140 - Connection	- Vanne thermostatique entraxe 50 mm p. 154 - Raccords*	- Válvula termostatzabile batalla 50 mm p. 168 - Adaptadores*	- Thermostat Ventil Achsstand s. 182 - Anschlüsse*
	- Bianco RAL 9010 Lucido - Colourbook Scirocco H	- White RAL 9010 gloss - Colourbook Scirocco H	- Blanc RAL 9010 brillant - Colourbook Scirocco H	- Blanco RAL 9010 brillante - Colourbook Scirocco H	- Weiß RAL 9010 Hochglanz - Colourbook Scirocco H
	- Attacchi: 1/2" G - Pressione massima d'esercizio: 5 bar - Disponibile per impianti monotubo - Massima temperatura d'esercizio: 90°C	- Connections: 1/2" G - Maximum working pressure: 5 bar - Available for single tube installation - Maximum working temperature: 90°C	- Connection: 1/2" G - Pression maximale de service: 5 bar - Disponible pour installations monotube - Température maximum d'exercice: 90°C	- Conexiones: 1/2" G - Presión máxima de trabajo: 5 bar - Disponible para instalaciones monotubo - Temperatura máxima de trabajo: 90°C	- Anschlüsse: 1/2" G - Maximaler Betriebsdruck: 5 bar - Einrohr-Anlagen verfügbar - Maximale betriebstemperatur: 90° C

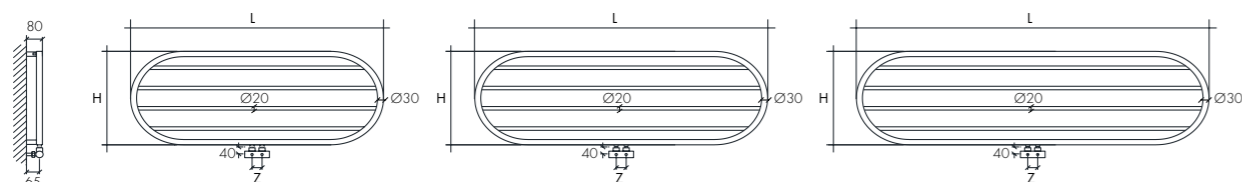
SMOOTH BUBBLE



SMOOTH SLIM



VERSIONE VERTICALE
VERTICAL VERSION
VERSION VERTICALE
VERSION VERTICAL
VERTIKALE VERSION

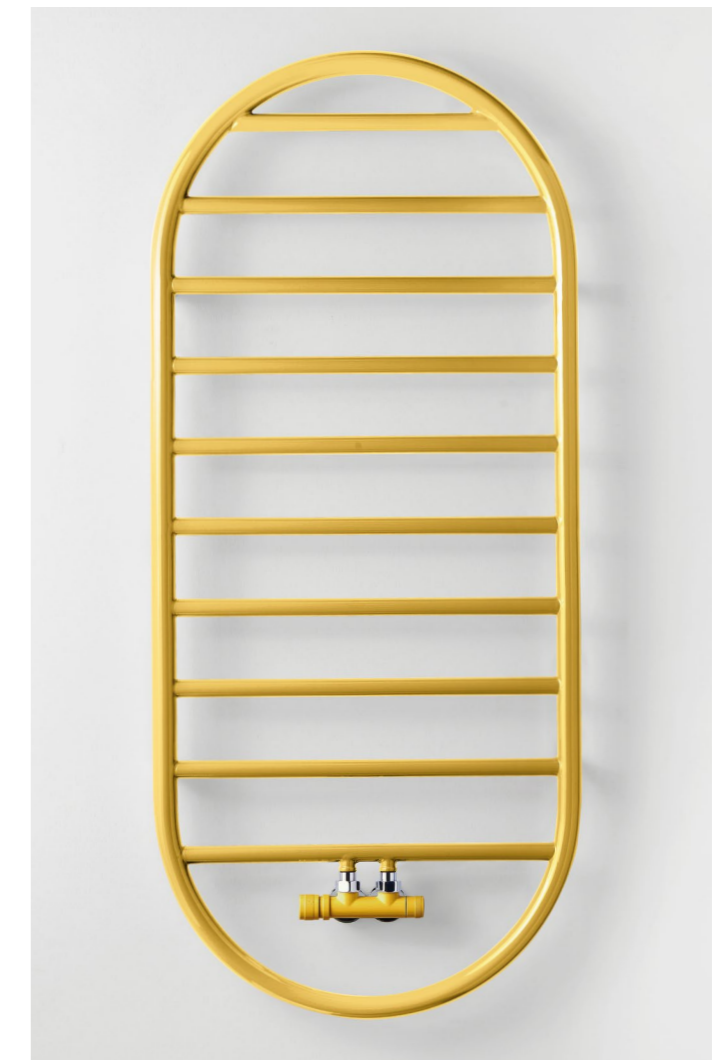


VERSIONE ORIZZONTALE
HORIZONTAL VERSION
VERSION HORIZONTAL
VERSION HORIZONTAL
HORIZONTAL VERSION

Smooth Bubble



Smooth Slim



SMOOTH BUBBLE

RESE TERMICHE - THERMAL OUTPUT
UNI EN 442 (ΔT 50 K)

Watt = Kcal/h ÷ 0,860
Kcal/h = Watt x 0,860

IDRAULICO
HYDRAULIC



ART.	DIMENSIONI DIMENSIONS				RESA OUTPUT	CAPACITÀ CAPACITY	PESO WEIGHT	RESISTENZA RESISTANCE	RAL 9010 BIANCO LUCIDO WHITE POLISHED	COLORE COLOUR
	L	H	Z	P	W	Lt	Kg	Watt	€	€
SMTBUB12	542	1284	50	92	548	4,7	10,9	600		
SMTBUB15	542	1584	50	92	677	5,8	13,6	600		
SMTBUB18	542	1884	50	92	851	6,9	16,3	800		

SMOOTH SLIM

RESE TERMICHE - THERMAL OUTPUT
UNI EN 442 (ΔT 50 K)

Watt = Kcal/h ÷ 0,860
Kcal/h = Watt x 0,860

IDRAULICO
HYDRAULIC



VERTICALE VERTICAL	ART.	DIMENSIONI DIMENSIONS				RESA OUTPUT	CAPACITÀ CAPACITY	PESO WEIGHT	RESISTENZA RESISTANCE	RAL 9010 BIANCO LUCIDO WHITE POLISHED	COLORE COLOUR
		L	H	Z	P	W	Lt	Kg	Watt	€	€
	SMTSLMV13	530	1306	50	80	611	2,5	6,6	600		
	SMTSLMV15	530	1506	50	80	722	2,9	7,7	600		
	SMTSLMV18	530	1806	50	80	908	3,5	9,3	800		
ORIZZONTALE HORIZONTAL	SMTSLMO13	1306	530	50	80	419	2,6	6,9	600		
	SMTSLMO15	1506	530	50	80	521	2,9	7,9	600		
	SMTSLMO18	1806	530	50	80	622	3,5	9,4	800		